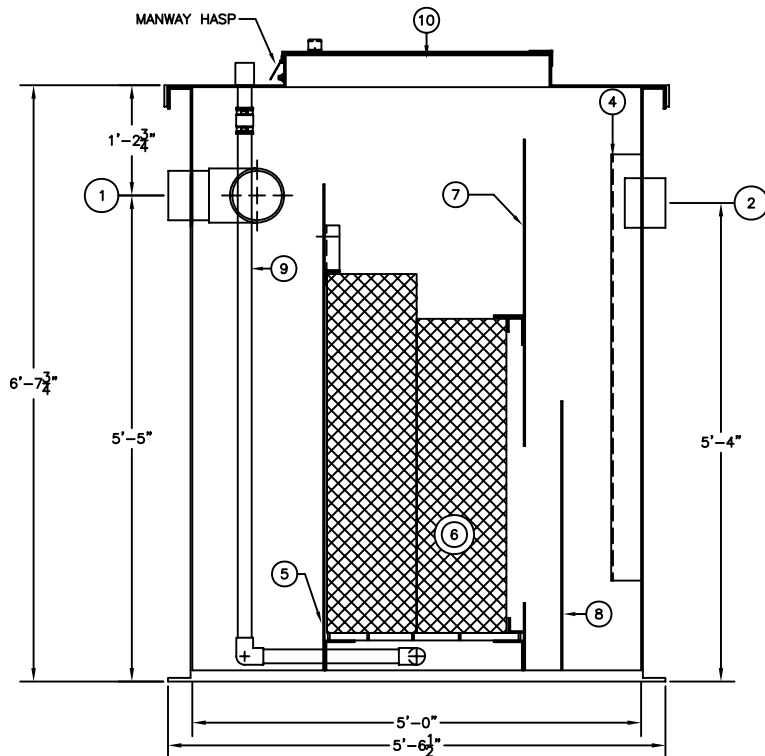


PLAN W/O LID



SECTION "A-A"

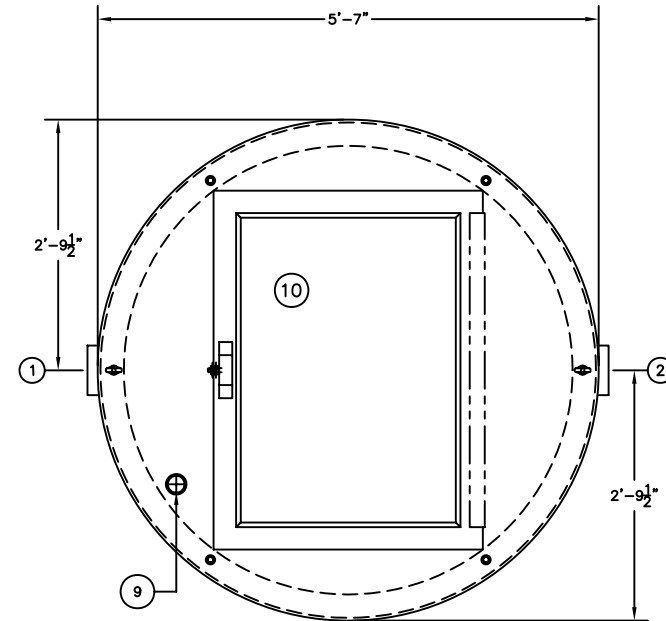
ASSEMBLY LIST

- ① 6"Ø INLET, PIPE STUB
- ② 6"Ø OUTLET, PIPE STUB
- ③ NOT USED
- ④ VERTICAL OUTLET FLUME
- ⑤ INLET BAFFLE
- ⑥ VERTICAL TUBE COALESCERS
- ⑦ OIL RETENTION BAFFLE
- ⑧ DIFFUSION BAFFLE
- ⑨ 1 1/2"Ø SLUDGE DRAW OFF, FPT
- ⑩ 4'-0" X 3'-0" MANWAY

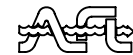
NOTES

1. PIPE AND FITTINGS ARE TO BE ONE OF THE FOLLOWING TYPES:
SCH. 40, PVC - STANDARD
SCH. 80, PVC
SCH. 40, CPVC
SCH. 80, CPVC
SCH. 80, PVC
FRP BISPHEENOL
FRP VINYL ESTER
2. TANKS ARE TO BE CONSTRUCTED WITH ONE OF THE FOLLOWING RESIN TYPES:
ISOTHALIC POLYESTER - STANDARD
BISPHEENOL A - POLYESTER
VINYL ESTER
3. MODIFICATIONS AND SPECIAL EQUIPMENT TO SUITE SPECIFIC CUSTOMER REQUIREMENTS ARE AVAILABLE BY FACTORY UPON APPROVAL BY AFL'S ENGINEERING DEPARTMENT.
4. TANKS CAN BE FABRICATED WITH A BOTTOM FLANGE WHEN ANCHORING IS REQUIRED.

INLET →



PLAN



INDUSTRIES, INC.
1751 WEST 10TH STREET, RIVIERA BEACH, FLA. 33404

SCALE: NONE	THIS DRAWING AND SPECIFICATION IS THE PROPERTY OF AFL INDUSTRIES, 1751 WEST 10TH STREET, RIVIERA BEACH, FLA. 33404 AND SHALL NOT BE REPRODUCED WITHOUT WRITTEN PERMISSION.	DRAWN BY: TMB
DATE: 5/29/07		CHECKED BY:
MODEL: CVF-5F-954-100-S-55		AFL JOB No. 5204
JOB: AFL INDUSTRIES	DRAWING No. 3S2577	
	FILE: 07-5F-954-100-S-05 5/25/07	