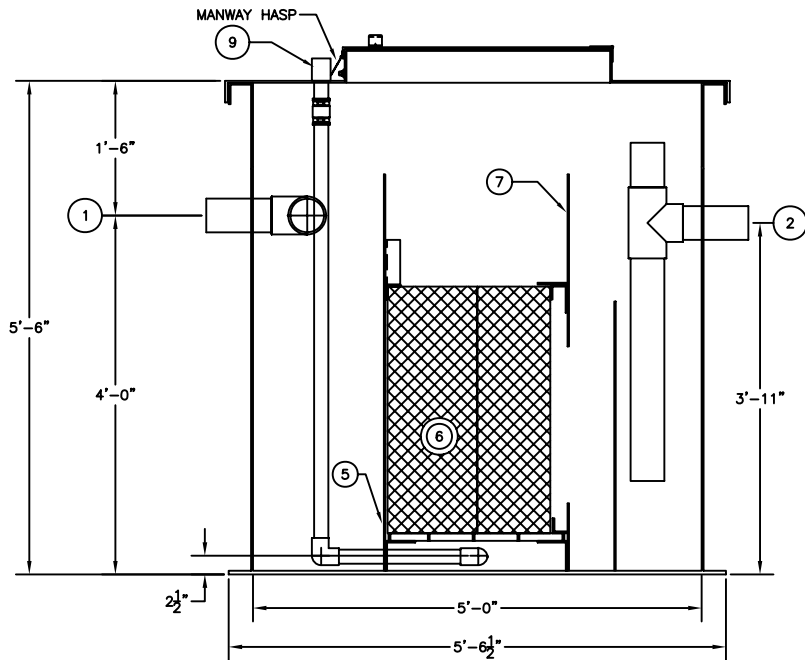


PLAN W/O LID



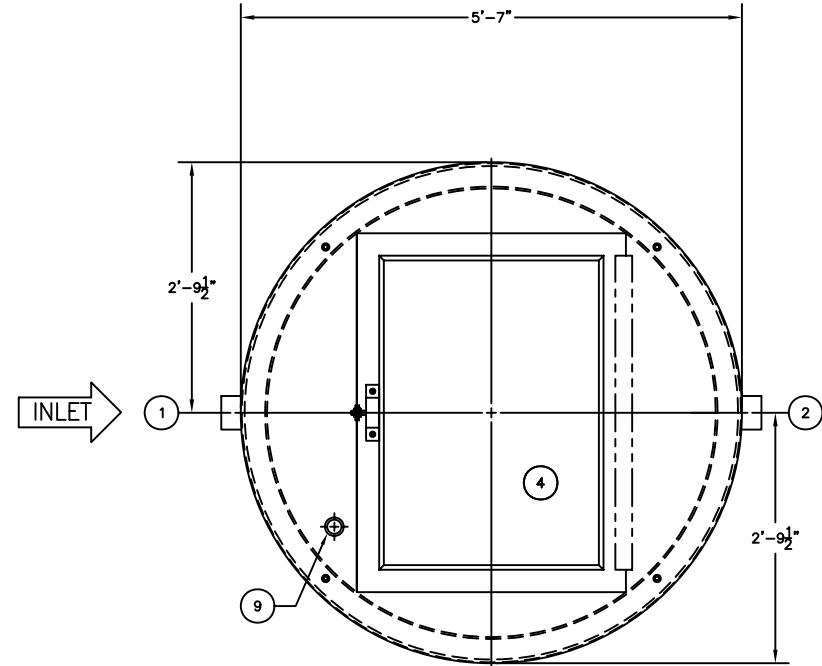
SECTION "A-A"

### ASSEMBLY LIST

- ① 4"Ø INLET, PIPE STUB
- ② 4"Ø OUTLET, PIPE STUB
- ③ NOT USED
- ④ 3'-0" x 4'-0" MANWAY
- ⑤ INLET BAFFLE
- ⑥ VERTICAL TUBE COALESCERS
- ⑦ OIL RETENTION BAFFLE
- ⑧ DIFFUSION BAFFLE
- ⑨ 1 1/2"Ø SLUDGE DRAW OFF, FPT

### NOTES

1. PIPE AND FITTINGS ARE TO BE ONE OF THE FOLLOWING TYPES:  
SCH. 40, PVC - STANDARD  
SCH. 80, PVC  
SCH. 40, CPVC  
SCH. 80, CPVC  
SCH. 80, PVC  
FRP BISPHEENOL  
FRP VINYL ESTER
2. TANKS ARE TO BE CONSTRUCTED WITH ONE OF THE FOLLOWING RESIN TYPES:  
ISOTHALIC POLYESTER - STANDARD  
BISPHEENOL A - POLYESTER  
VINYL ESTER
3. MODIFICATIONS AND SPECIAL EQUIPMENT TO SUITE SPECIFIC CUSTOMER REQUIREMENTS ARE AVAILABLE BY FACTORY UPON APPROVAL BY AFL'S ENGINEERING DEPARTMENT.
4. TANKS CAN BE FABRICATED WITH A BOTTOM FLANGE WHEN ANCHORING IS REQUIRED.



PLAN W/ LID



INDUSTRIES, INC.  
1751 WEST 10TH STREET, RIVIERA BEACH, FLA. 33404

SCALE: NONE	THIS DRAWING AND SPECIFICATION IS THE PROPERTY OF AFL INDUSTRIES, INC. 1751 WEST 10TH STREET, RIVIERA BEACH, FLA. 33404 AND SHALL NOT BE REPRODUCED WITHOUT WRITTEN PERMISSION.	DRAWN BY: TMB
DATE: 5/29/07		CHECKED BY:
MODEL: CVF-5F-807-50-S-55		AFL JOB No. 5204
JOB: AFL INDUSTRIES	DRAWING No. 3S2575	FILE: CVF-5F-807-50-S-55 5/29/07