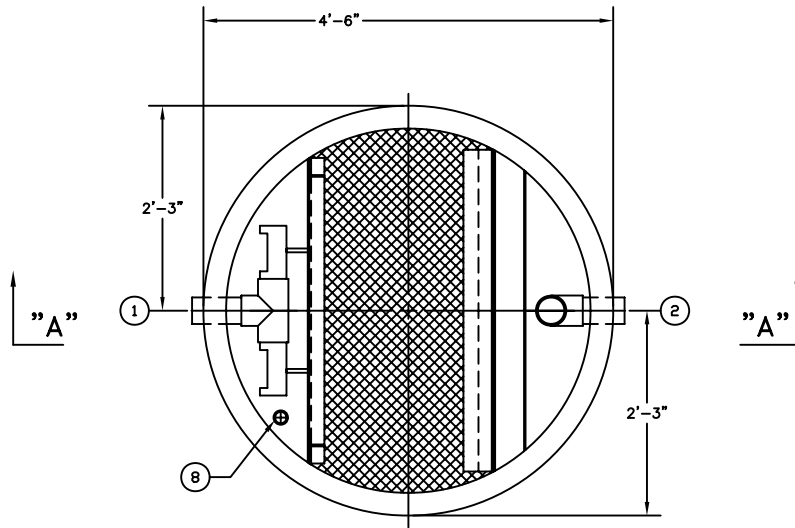


ASSEMBLY LIST

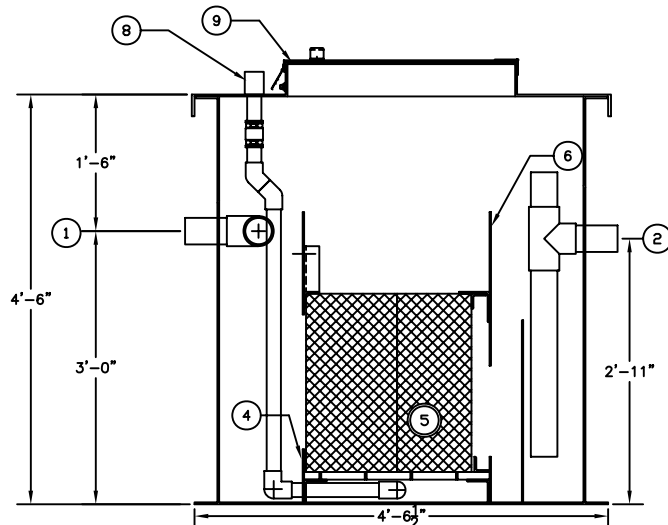
- ① 3" ϕ INLET, PIPE STUB
- ② 3" ϕ OUTLET, PIPE STUB
- ③ NOT USED
- ④ INLET BAFFLE
- ⑤ VERTICAL TUBE COALESCERS
- ⑥ OIL RETENTION BAFFLE
- ⑦ DIFFUSION BAFFLE
- ⑧ 1 1/2" ϕ SLUDGE DRAW OFF, FPT
- ⑨ 2'-6" x 3'-0" MANWAY

NOTES

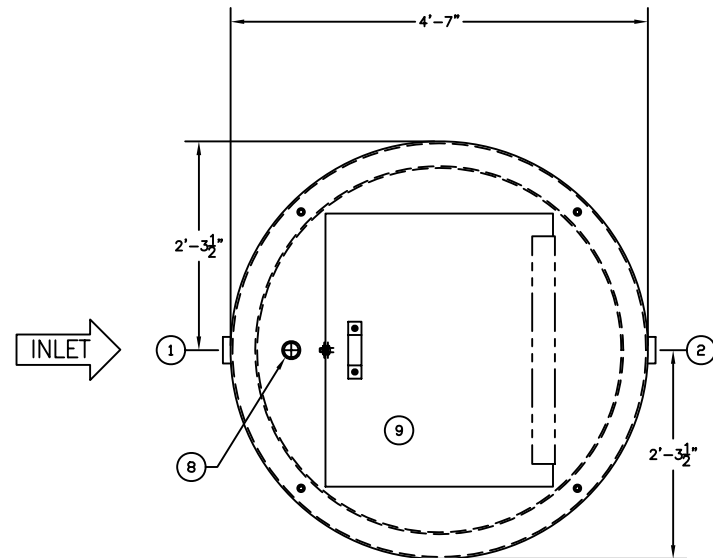
1. WITHOUT WRITTEN CONSENT FROM AFL INDUSTRIES, INC., DO NOT:
 - A. DRILL HOLES OR OTHERWISE PUNCTURE THE FIBERGLASS SKINS OF THE UNIT.
 - B. MOUNT ANY EQUIPMENT OR ACCESSORY ON THE UNIT.
 - C. REMOVE ANY EQUIPMENT OR ACCESSORY FROM THE UNIT.
 - D. FLOOD THE UNIT OR RESTRICT THE OUTFLOWS.
2. AFL REQUIRES A FLEXIBLE COUPLING TO BE INSTALLED BETWEEN THE TANK AND CUSTOMER'S CONNECTING PIPES TO ELIMINATE EXCESSIVE LOADING ON TANK FLANGES.
3. DIMENSIONAL TOLERANCE $\pm 1/2"$.
4. ALL TANK FLANGES FURNISHED BY AFL ARE 150# FLAT FACE FLANGES.
5. ALL NOZZLE PROJECTIONS ARE 4" UNLESS NOTED OTHERWISE.
6. ALL FLANGE BOLT HOLE PATTERNS TO STRADDLE CENTERLINES.




PLAN W/O LID



SECTION "A-A"



PLAN W/ LID

 AFL INDUSTRIES, INC. 1751 WEST 10TH STREET, RIVIERA BEACH, FLA. 33404		
SCALE: NONE	THIS DRAWING AND SPECIFICATION IS THE PROPERTY OF AFL INDUSTRIES, 1751 WEST 10TH STREET, RIVIERA BEACH, FLA. 33404 AND SHALL NOT BE REPRODUCED WITHOUT WRITTEN PERMISSION.	DRAWN BY: TMB
DATE: 5/29/07		CHECKED BY:
MODEL: CVF-4F-423-20-S-35		AFL JOB No. 5204
JOB: AFL INDUSTRIES	DRAWING No. 3S2573	FILE: CVF-4F-423-20-S-35 5/29/07