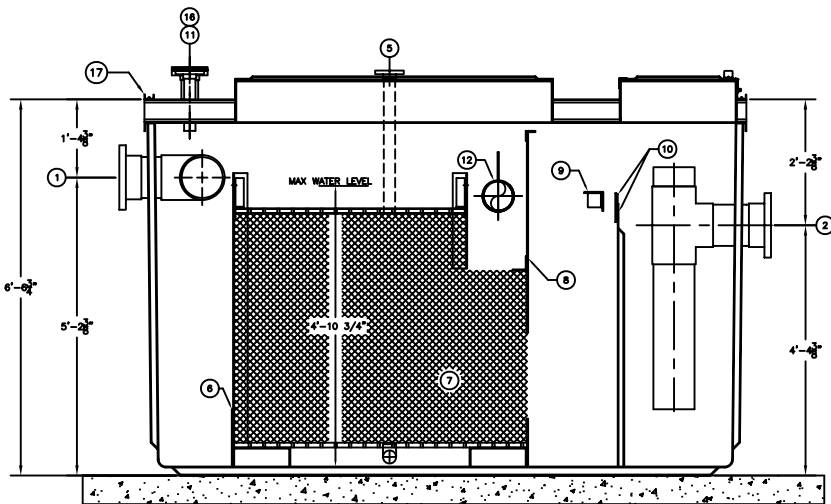
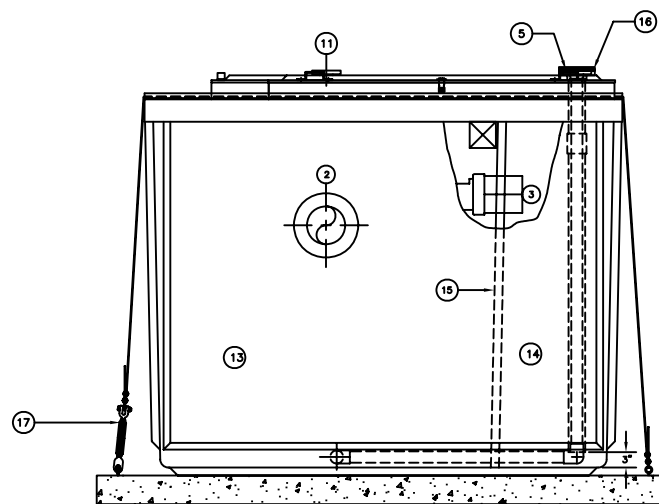


PLAN



SECTION "A-A"

APPROX. UNIT WT. = 2,850 LBS.



OUTLET END ELEVATION

NOTE:
CONCRETE PAD & ANCHOR
BOLTS NOT BY AFL.

ASSEMBLY LIST

- ① 8" # INLET, FLANGED
- ② 8" # OUTLET, FLANGED
- ③ 8" # OIL TRANSFER PIPE
- ④A 4'-0" X 5'-6" MANWAY
- ④B 2'-0" X 6'-0" MANWAY
- ⑤ 2" # SLUDGE DRAW-OFF, FLANGED
- ⑥ INLET BAFFLE
- ⑦ VERTICAL TUBE COALESCEERS
- ⑧ OIL RETENTION BAFFLE
- ⑨ SHEEN BAFFLE
- ⑩ ADJUSTABLE OUTLET WEIR
- ⑪ 2" # VENT, FLANGED
- ⑫ 8" # ROTARY PIPE SKIMMER
- ⑬ VTC-300
- ⑭ STORAGE CHAMBER
- ⑮ PARTITION WALL
- ⑯ 3" # OIL DRAW OFF, FLANGED W/ BLIND FLANGE
- ⑰ HOLD DOWNS(OPTIONAL)

NOTES

1. WITHOUT WRITTEN CONSENT FROM AFL INDUSTRIES, INC., DO NOT:
 - A. DRILL HOLES OR OTHERWISE PUNCTURE THE FIBERGLASS SKINS OF THE UNIT.
 - B. MOUNT ANY EQUIPMENT OR ACCESSORY ON THE UNIT.
 - C. REMOVE ANY EQUIPMENT OR ACCESSORY FROM THE UNIT.
 - D. FLOOD THE UNIT OR RESTRICT THE OUTFLOWS.
2. AFL REQUIRES A FLEXIBLE COUPLING TO BE INSTALLED BETWEEN THE TANK AND CUSTOMER'S CONNECTING PIPES TO ELIMINATE EXCESSIVE LOADING ON TANK FLANGES.
3. DIMENSIONAL TOLERANCE ± 1/2".
4. ALL TANK FLANGES FURNISHED BY AFL ARE 150 LB. FLAT FACE FLANGES.
5. ALL NOZZLE PROJECTIONS ARE 6" UNLESS NOTED OTHERWISE.
6. ALL FLANGE BOLT HOLE PATTERNS TO STRADDLE CENTERLINES.

 AFL INDUSTRIES, INC. 1751 WEST 10TH STREET, RIVERA BEACH, FLA. 33404			
MODEL: NONE DATE: 6/28/07 DRAWN BY:	THE QUALITY OF THE PRODUCTS OF AFL INDUSTRIES, INC. IS ASSURED BY THE ISO 9001 CERTIFICATION OF AFL INDUSTRIES, INC.	DRAWN BY: TMB CHECKED BY:	PART NO.: 5204
MODEL: VTC-300F2			
AFL INDUSTRIES		451825 <small>REV. 10-2009 03/07</small>	