

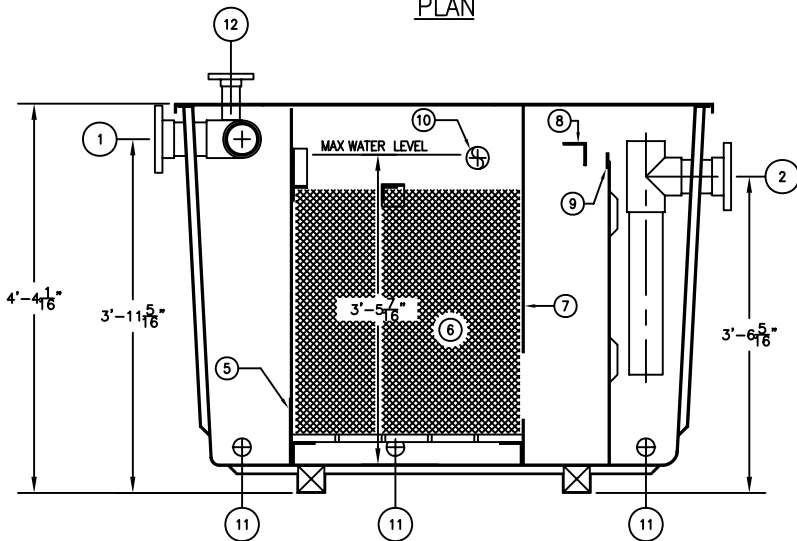
ASSEMBLY LIST

- ① 4" ϕ INLET, FLANGED
- ② 4" ϕ OUTLET, FLANGED
- ③ 3" ϕ OIL OUTLET, FLANGED
- ④A 5'-0" x 2'-6" MANWAY
- ④B 1'-6" x 5'-0" MANWAY
- ⑤ INLET BAFFLE
- ⑥ VERTICAL TUBE COALESCERS
- ⑦ OIL RETENTION BAFFLE
- ⑧ SHEEN BAFFLE
- ⑨ ADJUSTABLE OUTLET WEIR
- ⑩ ROTARY PIPE SKIMMER
- ⑪ 2" ϕ DRAIN, FLANGED (3 REQ'D.)
- ⑫ 2" ϕ VENT, FLANGED

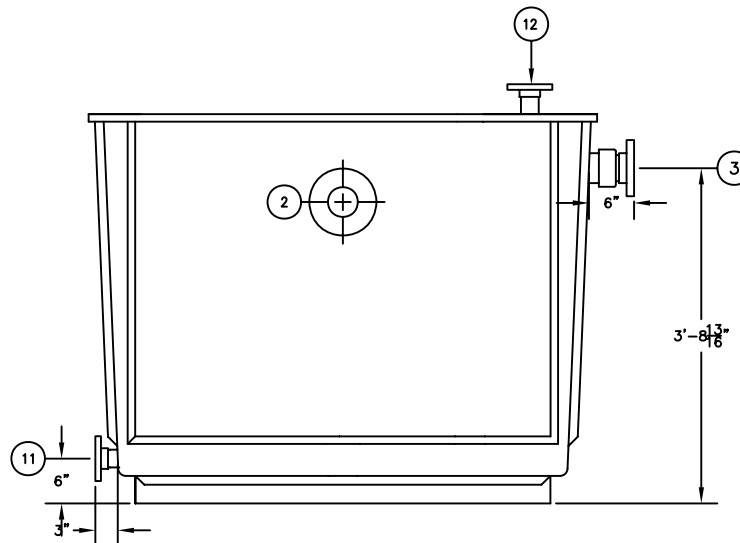
NOTES

1. WITHOUT WRITTEN CONSENT FROM AFL INDUSTRIES, INC., DO NOT:
 - A. DRILL HOLES OR OTHERWISE PUNCTURE THE FIBERGLASS SKINS OF THE UNIT.
 - B. MOUNT ANY EQUIPMENT OR ACCESSORY ON THE UNIT.
 - C. REMOVE ANY EQUIPMENT OR ACCESSORY FROM THE UNIT.
 - D. FLOOD THE UNIT OR RESTRICT THE OUTFLOWS.
2. AFL REQUIRES A FLEXIBLE COUPLING TO BE INSTALLED BETWEEN THE TANK AND CUSTOMER'S CONNECTING PIPES TO ELIMINATE EXCESSIVE LOADING ON TANK FLANGES.
3. DIMENSIONAL TOLERANCE $\pm 1/2"$.
4. ALL TANK FLANGES FURNISHED BY AFL ARE 150# FLAT FACE FLANGES.
5. ALL NOZZLE PROJECTIONS ARE 4" UNLESS NOTED OTHERWISE.
6. ALL FLANGE BOLT HOLE PATTERNS TO STRADDLE CENTERLINES.

PLAN



SECTION "A" - "A"



ELEVATION
OUTLET END

APPROX. UNIT WT: 650#



AFL INDUSTRIES, INC.
1751 WEST 10TH STREET, RIVIERA BEACH, FLA. 33404

SOLE: NONE	THIS DRAWING AND SPECIFICATIONS IS THE PROPERTY OF AFL INDUSTRIES, INC. AND IS NOT TO BE REPRODUCED OR COPIED WITHOUT WRITTEN PERMISSION.	DRAWN BY: TMB
DATE: 6/26/07		CHECKED BY:
MODEL: VTC-50A		AFL JOB No. 5204
JOB: AFL INDUSTRIES	DRAWING No. 3S2586	
		FILE: VTC-50A 6/26/07