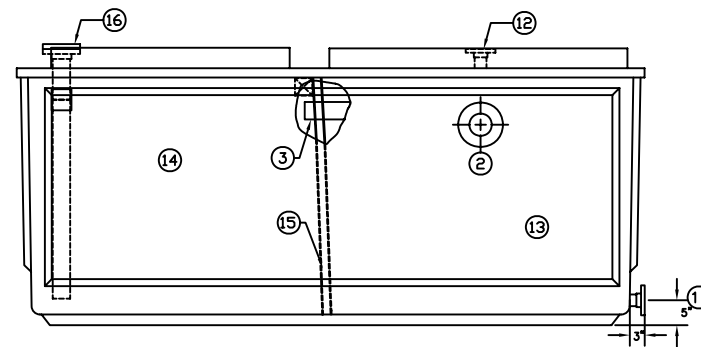
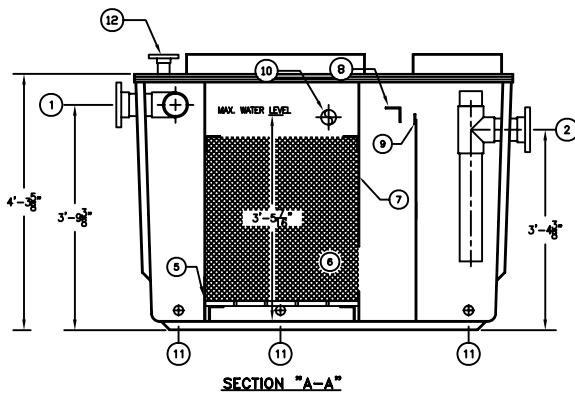
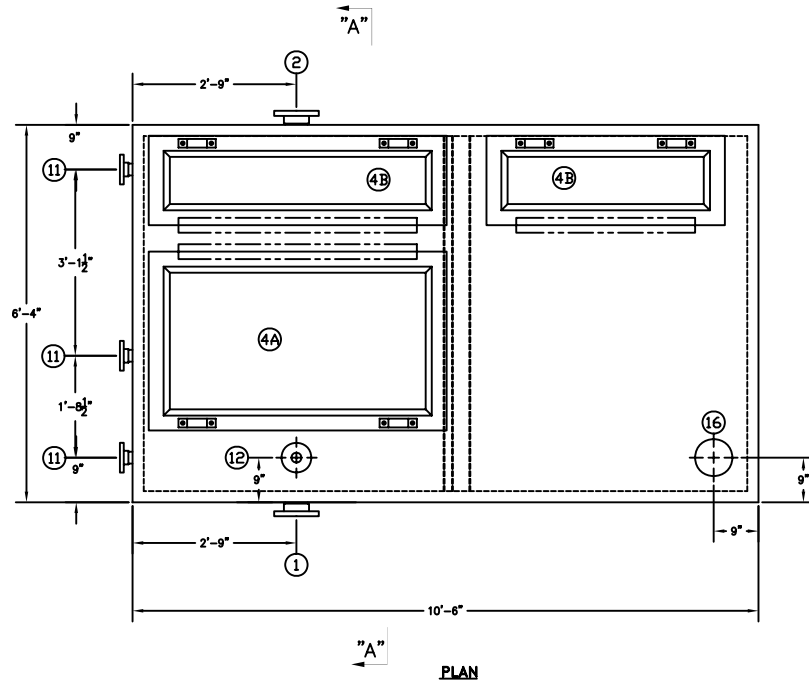


### ASSEMBLY LIST

- ① 4" Ø INLET, FLANGED
- ② 4" Ø OUTLET, FLANGED
- ③ 3" Ø OIL TRANSFER PIPE
- ④A 5'-0" x 3'-0" MANWAY
- ④B 5'-0" x 1'-6" MANWAY
- ④C 4'-0" x 1'-6" MANWAY
- ⑤ INLET BAFFLE
- ⑥ VERTICAL TUBE COALESCERS
- ⑦ OIL RETENTION BAFFLE
- ⑧ SHEEN BAFFLE
- ⑨ ADJUSTABLE OUTLET WEIR
- ⑩ ROTARY PIPE SKIMMER
- ⑪ 2" Ø DRAIN, FLANGED(3 REQ'D.)
- ⑫ 2" Ø VENT, FLANGED
- ⑬ VTC-50
- ⑭ OIL STORAGE CHAMBER
- ⑮ PARTITION WALL
- ⑯ 3" Ø OIL DRAW OFF, FLANGED W/ BLIND FLANGED

### NOTES

1. WITHOUT WRITTEN CONSENT FROM AFL INDUSTRIES, INC., DO NOT:
  - A. DRILL HOLES OR OTHERWISE PUNCTURE THE FIBERGLASS SKINS OF THE UNIT.
  - B. MOUNT ANY EQUIPMENT OR ACCESSORY ON THE UNIT.
  - C. REMOVE ANY EQUIPMENT OR ACCESSORY FROM THE UNIT.
  - D. FLOOD THE UNIT OR RESTRICT THE OUTFLOWS.
2. AFL REQUIRES A FLEXIBLE COUPLING TO BE INSTALLED BETWEEN THE TANK AND CUSTOMER'S CONNECTING PIPES TO ELIMINATE EXCESSIVE LOADING ON TANK FLANGES.
3. DIMENSIONAL TOLERANCE ± 1/2".
4. ALL TANK FLANGES FURNISHED BY AFL ARE 150 lb. FLAT FACE FLANGES.
5. ALL NOZZLE PROJECTIONS ARE 4" UNLESS NOTED OTHERWISE.
6. ALL FLANGE BOLT HOLE PATTERNS TO STRADDLE CENTERLINES.



APPROX. UNIT WT. = 2,225 LBS.

OUTLET END  
ELEVATION

 AFL INDUSTRIES, INC. 1751 WEST 10TH STREET, RIVIERA BEACH, FLA. 33404		
MODEL: NONE DATE: 6/28/07	THE DESIGN AND SPECIFICATIONS OF THE PROPERTY OF AFL INDUSTRIES, INC. ALL RIGHTS ARE RESERVED. NO PARTS, EQUIPMENT OR MATERIALS SHALL BE USED OR REPRODUCED WITHOUT WRITTEN PERMISSION.	DRAWN BY: TMB CHECKED BY: DATE: 6/28/07
VTC-50A4		5204
AFL INDUSTRIES		4S1816 REV. VTC-50A4 6/28/07