

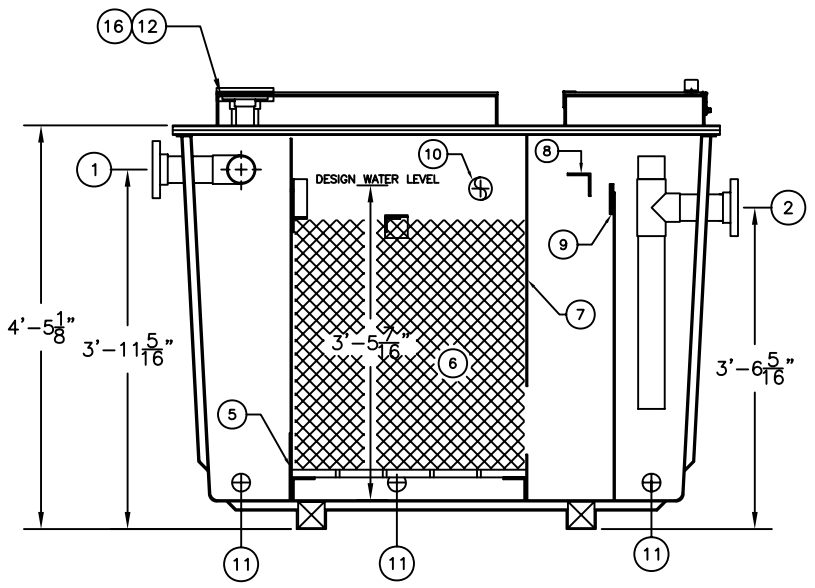
PLAN

ASSEMBLY LIST

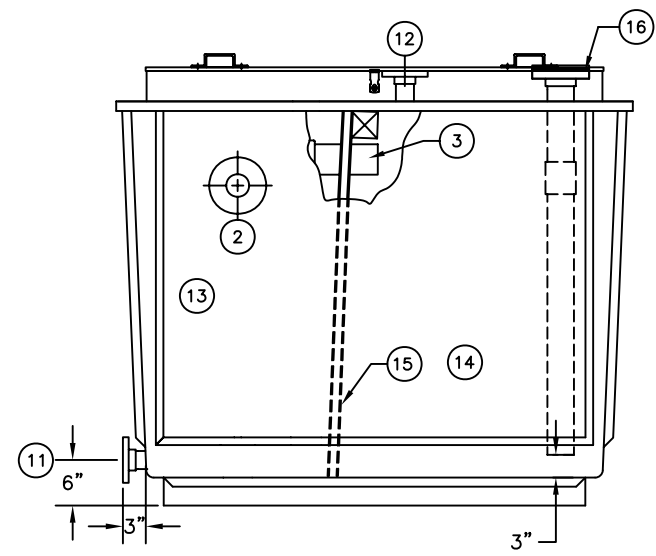
- ① 3" Ø INLET, FLANGED
- ② 3" Ø OUTLET, FLANGED
- ③ 3" Ø OIL TRANSFER PIPE
- ④A 2'-0" X 3'-0" MANWAY
- ④B 1'-6" X 5'-0" MANWAY
- ⑤ INLET BAFFLE
- ⑥ VERTICAL TUBE COALESCERS
- ⑦ OIL RETENTION BAFFLE
- ⑧ SHEEN BAFFLE
- ⑨ ADJUSTABLE OUTLET WEIR
- ⑩ ROTARY PIPE SKIMMER
- ⑪ 2" Ø DRAIN, FLANGED (3 REQ'D.)
- ⑫ 2" Ø VENT, FLANGED
- ⑬ VTC-20
- ⑭ STORAGE CHAMBER
- ⑮ PARTITION WALL
- ⑯ 3" Ø OIL DRAW OFF, FLANGED W/ BLIND FLANGE

NOTES

1. WITHOUT WRITTEN CONSENT FROM AFL INDUSTRIES, INC., DO NOT:
 - A. DRILL HOLES OR OTHERWISE PUNCTURE THE FIBERGLASS SKINS OF THE UNIT.
 - B. MOUNT ANY EQUIPMENT OR ACCESSORY ON THE UNIT.
 - C. REMOVE ANY EQUIPMENT OR ACCESSORY FROM THE UNIT.
 - D. FLOOD THE UNIT OR RESTRICT THE OUTFLOWS.
2. AFL REQUIRES A FLEXIBLE COUPLING TO BE INSTALLED BETWEEN THE TANK AND CUSTOMER'S CONNECTING PIPES TO ELIMINATE EXCESSIVE LOADING ON TANK FLANGES.
3. DIMENSIONAL TOLERANCE ± 1/2".
4. ALL TANK FLANGES FURNISHED BY AFL ARE 150# FLAT FACE FLANGES.
5. ALL NOZZLE PROJECTIONS ARE 4" UNLESS NOTED OTHERWISE.
6. ALL FLANGE BOLT HOLE PATTERNS TO STRADDLE CENTERLINES.




SECTION "A"- "A"



END OUTLET ELEVATION

APPROX. UNIT WT: 800#

 AFL INDUSTRIES, INC. 1751 WEST 10TH STREET, RIVIERA BEACH, FLA. 33404		
SCALE: NONE	<small>THIS DRAWING AND SPECIFICATIONS IS THE PROPERTY OF AFL INDUSTRIES, 1751 WEST 10TH STREET RIVIERA BEACH, FLA. 33404 AND SHALL NOT BE REPRODUCED WITHOUT WRITTEN PERMISSION.</small>	DRAWN BY: TMB
DATE: 6/26/07		CHECKED BY:
MODEL:	VTC-20A2	AFL JOB No. 5204
JOB:	AFL INDUSTRIES	DRAWING No. 3S2583
<small>FILE: VTC-20A2 8/28/07</small>		